

LJ Series

PFA Lined Butterfly Valves

Expanded size up to 24inches !!

- Using high grade PFA on all internal surface.
- KITZ's proven sealing structure has been adopted for larger size.
- High temperature and pressure performance make possible a wide range of fluid conditions.
- Ensure PFA lining thickness at least 3mm.

LJ Series (PFA Lined Butterfly Valves)

Product code **10LJF / G-10LJF**

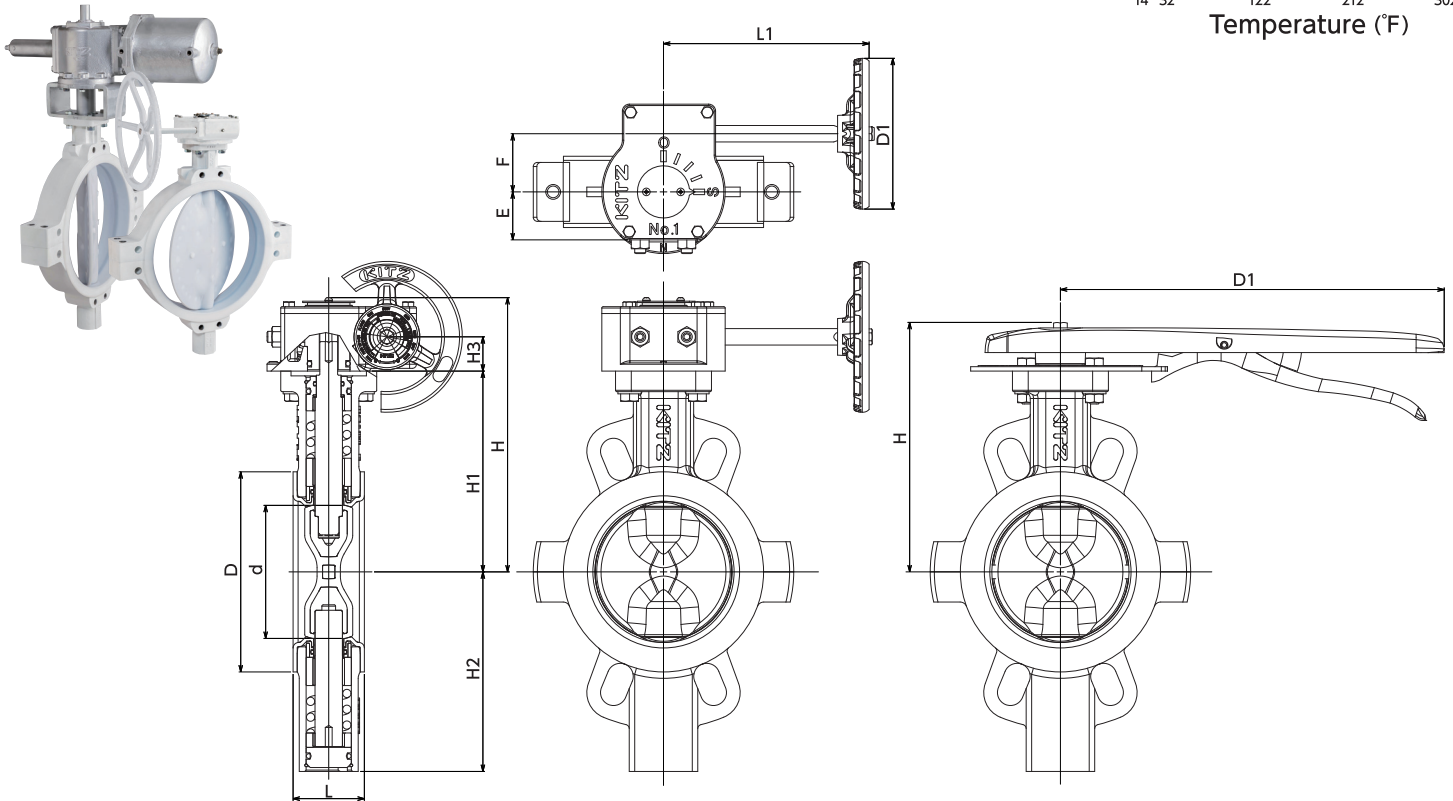
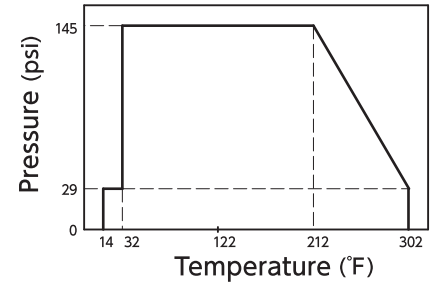
Specification

Size	2" to 24"
Flange Drilling	JIS 10K (available ANSI CL150)
MAX.Pressure	145 psi
Operating Temp.	14°F to 302°F
Face to Face Dimension	API 609 (ISO 5752 table 5)
Body Style	Wafer

Parts Material

Part	Material
Body	FCD450-10
Stem	SUS420J2
Disc	Stainless + PFA
Seat Liner	PFA
Backup Rubber	FKM

P-T Rating

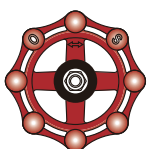


Dimension

Unit : mm

Size		d	H						L	D	L1	D1		
DN	NPS		Lever	Gear	H1	H2	H3	Lever				Gear	E	F
50	2	55	155	175	122	102	25	43	90	150	230	110	35	42
65	2½	66	171	188	134	110	25	46	115	150	280	110	35	42
80	3	80	178	195	142	139	25	46	126	150	280	110	35	42
100	4	100	182	200	147	146	25	52	146	150	280	110	35	42
125	5	125	217	238	181	178	28	56	181	180	350	170	42	60
150	6	150	230	254	194	191	28	56	211	180	350	170	42	60
200	8	197	--	287	228	223	28	60	257	205	--	200	42	60
250	10	246	--	357	272	272	47	68	316	280	--	310	54	66
300	12	296	--	382	297	297	47	78	363	280	--	310	54	66
350	14	331	--	444	343	341	60	78	396	350	--	360	65	89
400	16	383	--	519	418	391	60	102	456	360	--	500	65	89
450	18	429	--	542	441	415	60	114	516	360	--	500	65	89
500	20	479	--	589	454	458	65	127	566	400	--	500	90	134
600	24	580	--	639	505	509	65	154	674	400	--	500	90	134

*The export of this product is strictly controlled under the export laws and regulations of the Japanese government.



ISO 9001 certified since 1989

KITZ
KITZ CORPORATION

International Business Development
1-10-1 Nakase, Mihama-ku,
Chiba 261-8577, Japan
Phone: +81-43-299-1730, 1732 and 1733

- Distributed by -